

Item: **SINGLE DESK**

TECHNICAL CHARACTERISTICS

Top

The top is made in 30 mm thick particle wood panels with anti-scratch and anti-reflect melamine surfaces; tops are edged in 2,5 mm thick PVC with rounded edges.

Legs

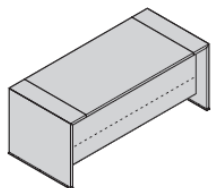
The legs are paneled with a panel made of particles wood 30 mm thick, with melamine surface scratch resistant and anti-reflective; the panel is edged in pvc 2.5 mm thick and rounded on 4 sides.

Modesty panel

The modesty panel is made with a panel made of particles wood 18 mm thick, covered with leather. Floor height 150 mm and reentrant from 150 mm wire desk.

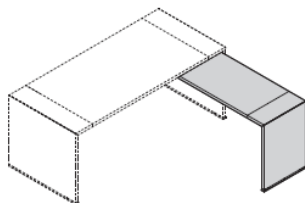


Single desk

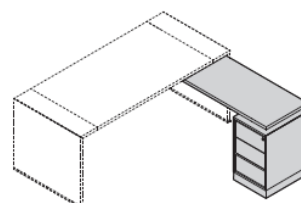


W 140-160-180
D 80
H 74

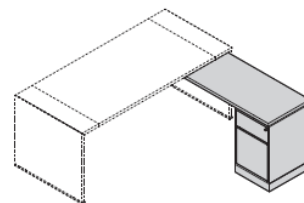
Abaco Return desks for task desks



W 120
D 60
H 70



W 120
D 60
H 70



W 120
D 60
H 70

FINISHES

Top and legs

Melamine: UE White – Oak – Dark Oak – Smooth Sucupira – Smooth Delavè – Smooth Comfort – Magnolia – Titanio (Smooth Sucupira, Smooth Delavè and Smooth Comfort for tops and legs; Texture Sucupira, Texture Delavè and Texture Comfort for bases).

Modesty panel

In finishes with the desk
Ecoleather pearl Grey

TESTING

LOOP IN satisfies all the safety requirements, and has obtained the highest grades on the certificates of performance.

Item: **BENCH**

TECHNICAL CHARACTERISTICS

Top

The top is made in 30 mm thick particles wood panels with anti-scratch and anti-reflect melamine surfaces; tops are edged in 2,5 mm thick PVC with rounded edges.

Legs

The legs are paneled with a panel made of particles wood 30 mm thick, with melamine surface scratch resistant and anti-reflective; the panel is edged in pvc 2.5 mm thick and rounded on 4 sides.



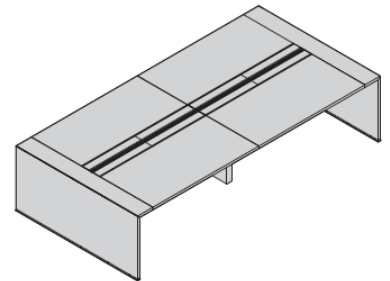
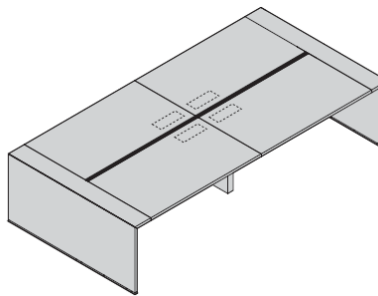
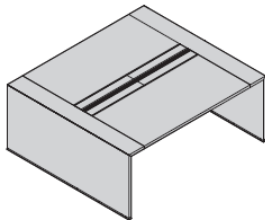
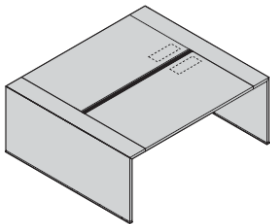
Abaco

Bench with equipped bar in matt Titanio finish and cable tray

Bench with equipped bar with flaps and cable tray

Bench with equipped bar and cable tray

Bench with equipped bar with flaps and cable tray



2 places bench

W 140-160-180

D 160

H 74

4 places bench

W 280-320-360

D 160

H 74

FINISHES

Top and legs

Melamine: UE White – Oak – Dark Oak – Smooth Sucupira – Smooth Delavè – Smooth Comfort – Magnolia – Titanio (Smooth Sucupira, Smooth Delavè and Smooth Comfort for tops and legs; Texture Sucupira, Texture Delavè and Texture Comfort for bases).

TESTING

LOOP IN satisfies all the safety requirements, and has obtained the highest grades on the certificates of performance.

Item: JOINT

TECHNICAL CHARACTERISTICS

Top

The top is made in 30 mm thick particles wood with anti-scratch and anti-reflect melamine surfaces; tops are edged in 2,5 mm thick PVC with rounded edges.

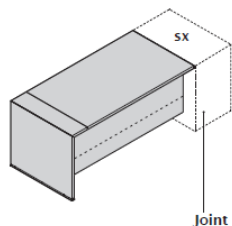
Legs

The legs are paneled with a panel made of particles wood 30 mm thick, with melamine surface scratch resistant and anti-reflective; the top is edged in pvc 2.5 mm thick and rounded on 4 sides.



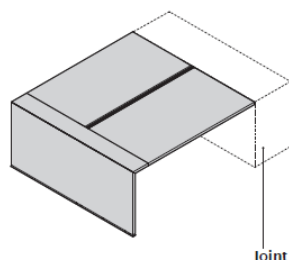
Desk

W 140-160
D 80
H 74



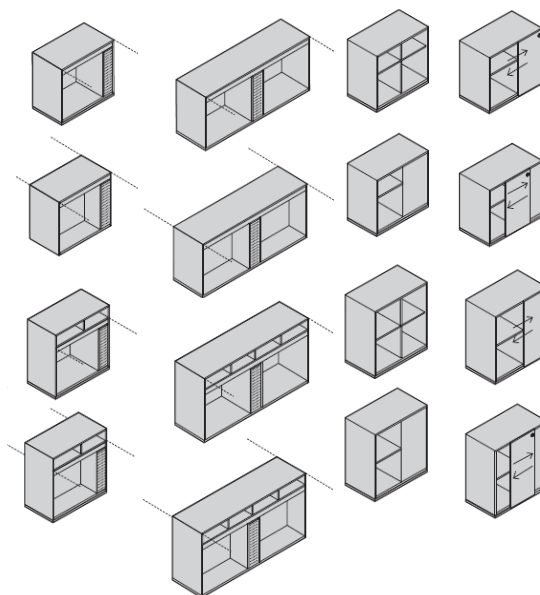
2 places bench with equipped bar in Titanio finish and cable tray

W 140-160
D 160
H 74



Joint storage units

W 80-160
D 38
H 74-89



FINISHES

Desk

Melamine: UE White – Oak – Dark Oak – Smooth Sucupira – Smooth Delavè – Smooth Comfort – Magnolia – Titanio (Smooth Sucupira, Smooth Delavè and Smooth Comfort for tops and legs; Texture Sucupira, Texture Delavè and Texture Comfort for bases).

Joint storage unit

Structure

Melamine: UE White – Titanio

Fronts

Melamine: UE White – Titanio

Lacquered: UE White – Titanio – Pearl Grey – Silver – Brown – Amaranto – Alfa Red – Orange – Blue – Citron

TESTING

LOOP IN satisfies all the safety requirements, and has obtained the highest grades on the certificates of performance.

Item: SAN MARCO EXECUTIVE DESK

TECHNICAL CHARACTERISTICS

Top

The top is divided into two parts, a part made of a panel of MDF 38 mm thick, covered with veneer and with rounded edges.

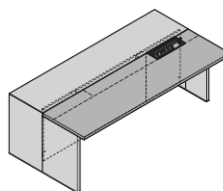
The second part is in MDF, 60 cm depth and 50 mm thick, covered with leather or ecoleather.

Legs

The legs are paneled with a panel made of MDF 38 mm thick, covered with veneer and rounded on 4 sides. The leg rests on a metal plate with integrated leveling feet.

Modesty panel

The modesty panel is made with a panel made of particles wood 18 mm thick, covered with leather or ecoleather, as the part of the top. Floor height 15 cm.



Desk

W 180-210
D 100
H 74

FINISHES

Top, legs, service unit

Veneer: Magnolia – Maple – Oak – Barrique
Oak – Dark Oak – Canaletto Walnut –
Mahogany – Zebrano Brown – Ebony

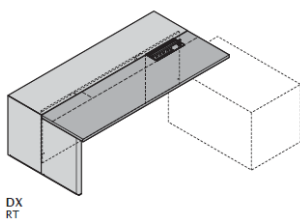
Modesty panel and part of the top with the slider

Ecoleather: Mud Grey
Soft leather: see the folder with the finishes

Service unit

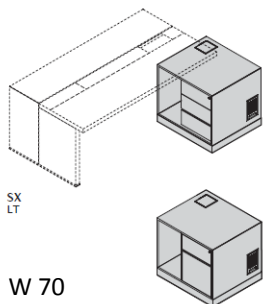
Lacquered: UE White – Titanio – Pearl Grey –
Silver – Brown – Amaranto – Alfa Red –
Orange – Blue – Citron

**Abaco
Desk for service
cabinet**

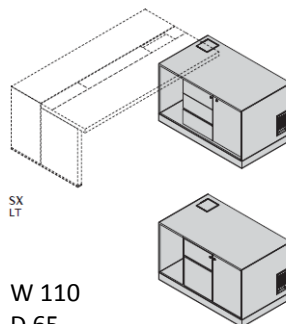


W 210x100
D 230x115
H 74

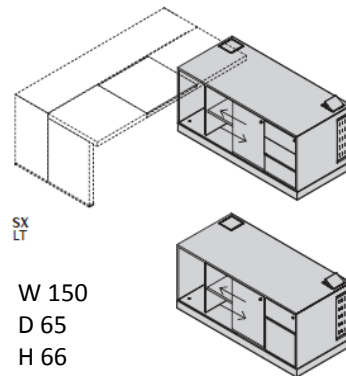
Service unit



W 70
D 65
H 66

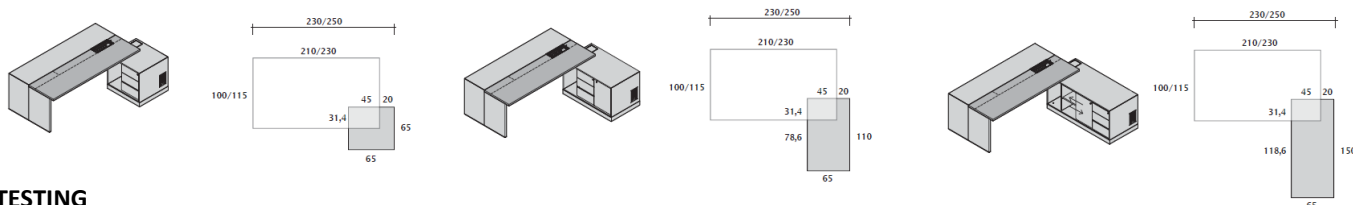


W 110
D 65
H 66



W 150
D 65
H 66

Positioning



TESTING

LOOP IN satisfies all the safety requirements, and has obtained the highest grades on the certificates of performance.

Item: CAMPIELLO EXECUTIVE DESK

TECHNICAL CHARACTERISTICS

Top

The top is made in 38 mm thick MDF; tops are edged in 2,5 mm thick PVC with rounded edges.

The top is in two versions: completely covered with veneer or split into one with a part in veneer and another part in soft leather.

Legs

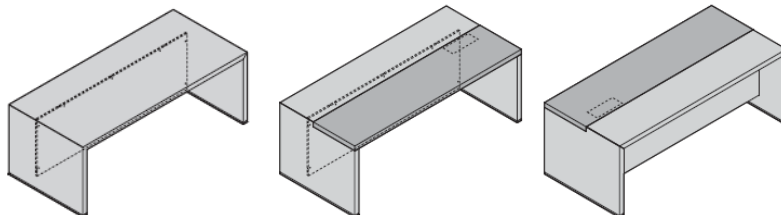
The legs are paneled with a panel made of MDF 38 mm thick, with melamine surface scratch resistant and anti-reflective; the panel is edged in pvc 2.5 mm thick and rounded on 4 sides.

Modesty panel

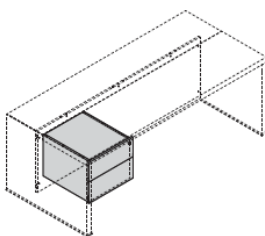
The modesty panel is made with a panel made of particles wood 18 mm thick, covered with leather or ecoleather, as the part of the top. Floor height 15 cm.

Desk

- W 180x90
- W 200x90
- W 220x100
- H 74



Suspended drawer



FINISHES

Top and legs

- Veneer: Magnolia – Maple – Oak – Barrique Oak – Dark Oak – Canaletto Walnut – Mahogany – Zebrano Brown – Ebony

Top

Soft leather

Modesty panel

Ecoleather: Mud Grey

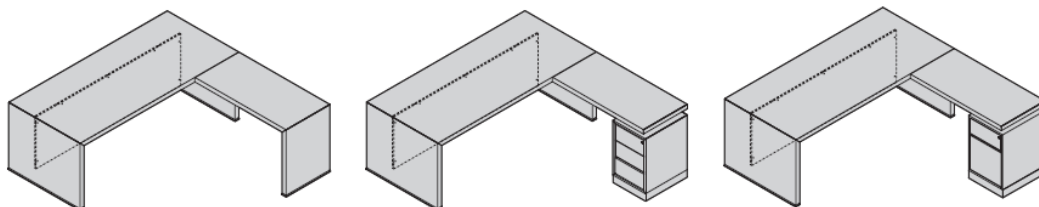
Soft leather: see the folder with the finishes

Drawer

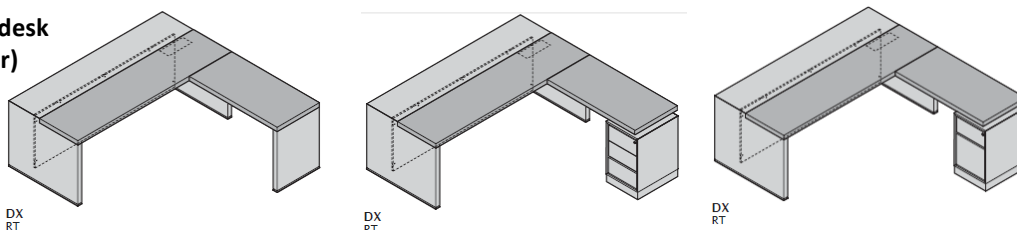
- Veneer: Magnolia – Maple – Oak – Barrique Oak – Dark Oak – Canaletto Walnut – Mahogany – Zebrano Brown – Ebony

Abaco Desks + Return desk

- W 180x190
- W 200x190
- W 220x200
- H 74



Abaco Desks + Return desk (version in Soft Leather)



TESTING

LOOP IN satisfies all the safety requirements, and has obtained the highest grades on the certificates of performance.

Item: SAN POLO EXECUTIVE DESK

TECHNICAL CHARACTERISTICS

Top

The top is made in 38 mm thick MDF with anti-scratch and anti-reflect melamine surfaces; tops are edged in 2,5 mm thick PVC with rounded edges.

Legs

The legs are paneled with a panel made of MDF 38 mm thick, with melamine surface scratch resistant and anti-reflective; the panel is edged in pvc 2.5 mm thick and rounded on 4 sides.



FINISHES

Top and legs

Veneer: Magnolia – Maple – Oak – Barrigue Oak – Dark Oak – Canaletto
Walnut – Mahogany – Zebrano Brown – Ebony

Modesty panel

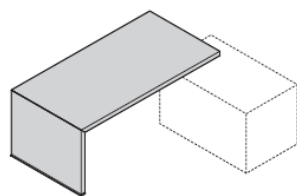
Ecoleather: Mud Grey

Soft leather: see the folder with the finishes

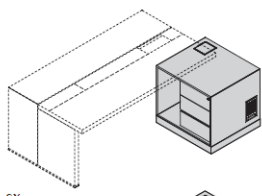
Service unit

Lacquered: UE White – Titanio – Pearl Grey – Silver – Brown – Amaranto – Alfa Red – Orange – Blue – Citron

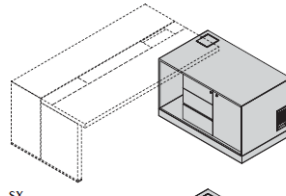
Abaco



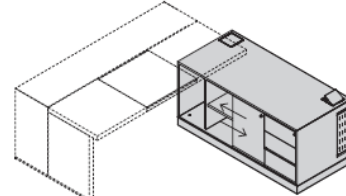
W 180X90
W 200X90
W 220x100
H 74



W 70
D 65
H 66

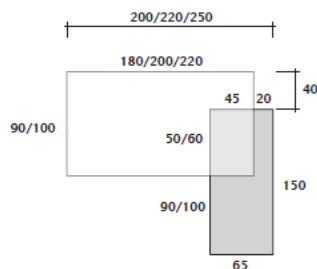
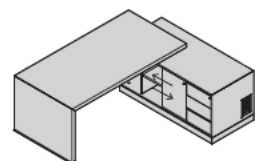


W 110
D 65
H 66



W 150
D 65
H 66

Positioning



TESTING

LOOP IN satisfies all the safety requirements, and has obtained the highest grades on the certificates of performance.

Item: ACCADEMIA MEETING TABLE

TECHNICAL CHARACTERISTICS

Top

The top is made in 30 mm thick MDF with veneer or anti-scratch and anti-reflect melamine surfaces; tops are edged in 2,5 mm thick PVC with rounded edges.

Legs

The legs are in lacquered or veneered solid wood.

Section of the leg:



FINISHES

Leg

Lacquered: UE White – Titanio – Pearl Grey – Silver – Brown – Amaranto – Alfa Red – Orange – Blue – Citron

Top

Melamine: UE White – Oak – Dark Oak – Sucupira – Delavè – Comfort – Magnolia – Titanio
Back-lacquered etched extra light glass: White - Titanio

FINISHES

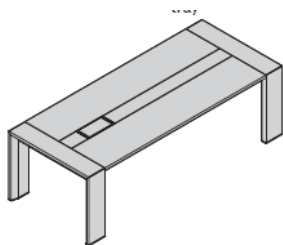
Leg

Veneer: Magnolia – Maple – Oak – Barrique Oak – Dark Oak – Canaletto Walnut – Mahogany – Zebrano Brown – Ebony

Top

Veneer: Magnolia – Maple – Oak – Barrique Oak – Dark Oak – Canaletto Walnut – Mahogany – Zebrano Brown – Ebony
Back-lacquered etched extra light glass: White - Titanio

Abaco



Desk – Meeting table with top access and cable tray

W 210-240-280

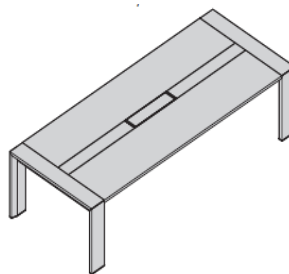
D 105

H 74

Desk W 210-240 with central or lateral top access (W30)

Desk W 280 with central top access (W70)

Central strip in White or Titanio glass



Meeting Table for executive areas with top access and cable tray

W 210-240-280-320

D 130

H 74

Desk W 210-240 with central or lateral top access (W30)

Desk W 280-320 with central top access (W70)

Central strip in White or Titanio glass

TESTING

LOOP IN satisfies all the safety requirements, and has obtained the highest grades on the certificates of performance.

Item: COFFEE TABLE

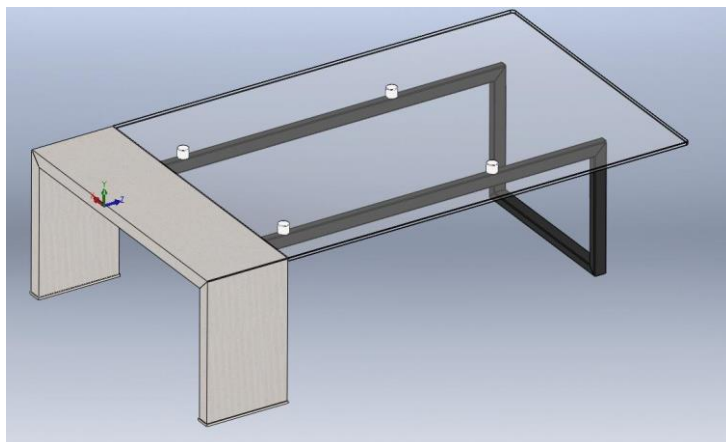
TECHNICAL CHARACTERISTICS

Top

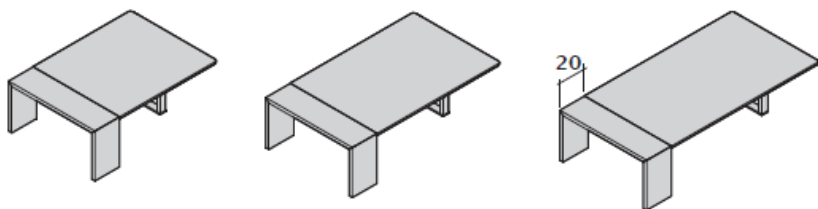
The top is made in 30 mm thick clipboard panels with anti-scratch and anti-reflect melamine surfaces; tops are edged in 2,5 mm thick PVC with rounded edges. The top in back-lacquered etched glass 8 mm thick.

Legs

A part of the structure is paneled with a panel made of wood particles 30 mm thick, with melamine surface scratch resistant and anti-reflective; the top is edged in pvc 2.5 mm thick and rounded on 4 sides. The other part of the structure is in varnished metal.



Abaco



W 100-120-140

D 70

H 35

FINISHES

Leg

Lacquered: UE White – Titanio – Pearl Grey – Silver – Brown – Amaranto – Alfa Red – Orange – Blue – Citron

Top

Melamine: UE White – Oak – Dark Oak – Sucupira – Delavè – Comfort – Magnolia – Titanio

Back-lacquered etched extra light glass: White - Titanio

Or

Leg

Veneer: Magnolia – Maple – Oak – Barrique Oak – Dark Oak – Canaletto Walnut – Mahogany – Zebrano Brown – Ebony

Top

Veneer: Magnolia – Maple – Oak – Barrique Oak – Dark Oak – Canaletto Walnut – Mahogany – Zebrano Brown – Ebony

Back-lacquered etched extra light glass: White - Titanio

Metal Leg

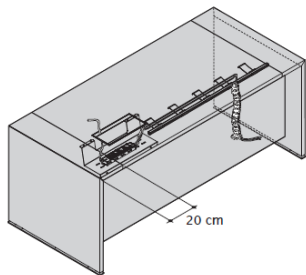
Metal: varnished Titanio

TESTING

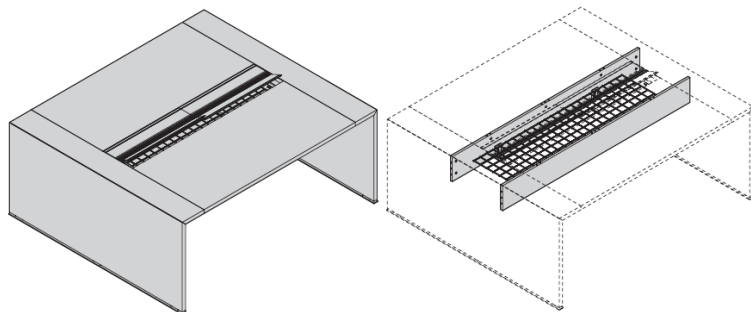
LOOP IN satisfies all the safety requirements, and has obtained the highest grades on the certificates of performance.

LOOP IN

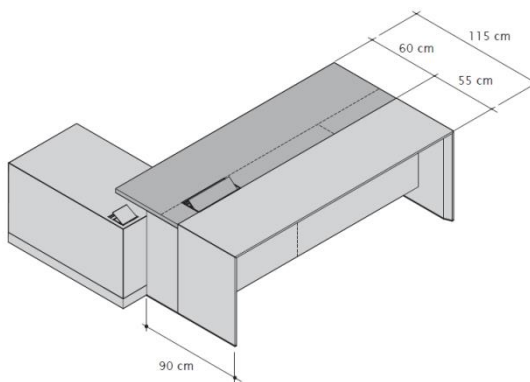
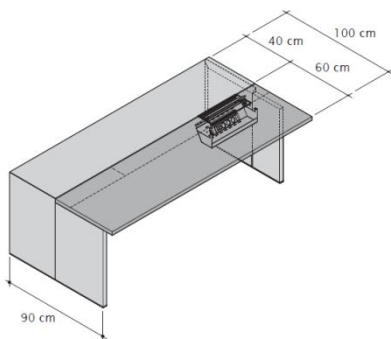
ELECTRIFICATION



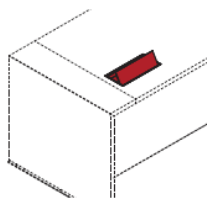
Fixed desks can be wired through top access, in the same finish of the top, and cable tray behind modesty panel.



Benches are always equipped with a veneer bar under the top and with a cable tray in metal net. The aluminium bar, in Titanio finish, can be supplied with a pair of flaps in wood in the same finish of the top.



Details of the San Marco desk

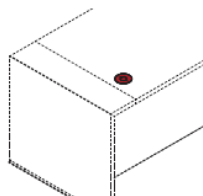


Top access for executive desk, in the same finish as the top. Top access is located on the right-hand side of the desk.

FINISHES

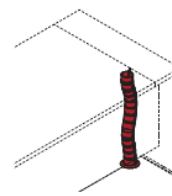
Melamine: UE White – Oak – Dark Oak – Sucupira – Delavè – Comfort – Magnolia – Titanio

Veneer: Magnolia – Maple – Oak – Barrique Oak – Dark Oak – Canaletto Walnut – Mahogany – Zebrano Brown – Ebony

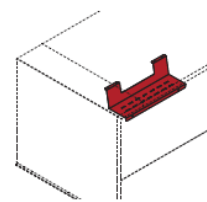


Cable outlet
Located on the right hand side of the desk

FINISHES
White – Silver



Vertebra
FINISHES
Dark Grey



Cable Tray
FINISHES
Metal varnished
Titanio

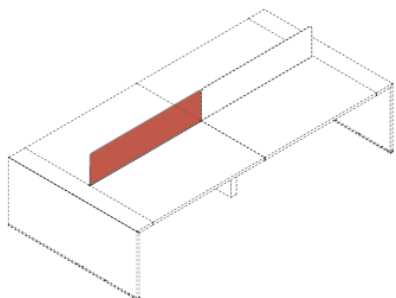
LOOP IN

EQUIPMENT

GLAZED SCREEN PANEL

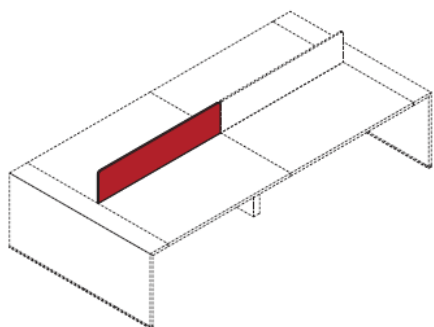
Glazed screen panel made in 8 mm thick tempered glass, shiny ground edge on 4 sides and edges with a radius of 30 mm; etched on both sides.

The panel is coupled, via terminals painted, to a carrier bar equipment painted aluminum from 30x34 mm, located along the whole length of the floor.

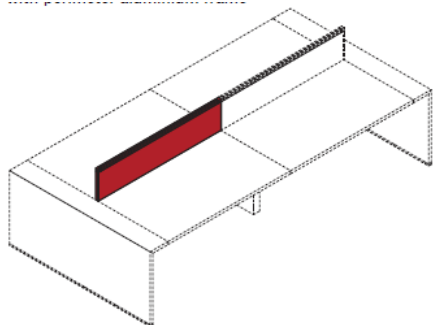


SCREEN PANEL IN FABRIC

Made with a wooden panel covered with a padding in fire retardant resin 100 g, covered with fabric.



FRAMED SCREEN PANEL IN FABRIC WITH PERIMETER ALUMINIUM FRAME



FINISHES

Fabric cat. A-B-C